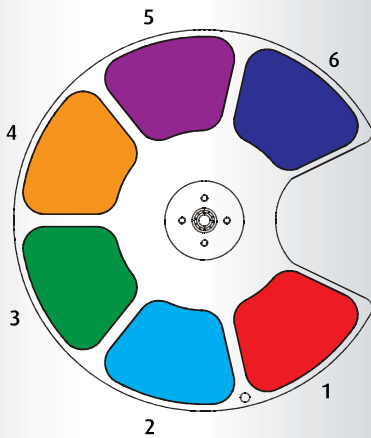


Features

Total FX Package	Pan - 540°
Modular Construction	Tilt - 265°
Fast Service Design	Max Speed Pan - 360° (seconds) - 2.98
Electronic Cooling System Control	Max Speed Tilt - 180° (seconds) - 1.66
LED Type - 600W Bright White Engine	Full Color LCD Display W/ Battery Mode
LED Hours- 70% Luminous output, 50,000 hrs.	5-Pin DMX/RDM Connector
Active Thermal Control	3-Pin DMX/RDM Connector
Fan Modes - Standard/ Continuous / Studio	Powercon Connector
RDM Compatible	Pan and Tilt Locks
Control Options - DMX 512/RDM	Integrated Yoke Arm Handles
DMX Channels- 48	Indigo Highlighter LED's
	Road Case Included (Single)

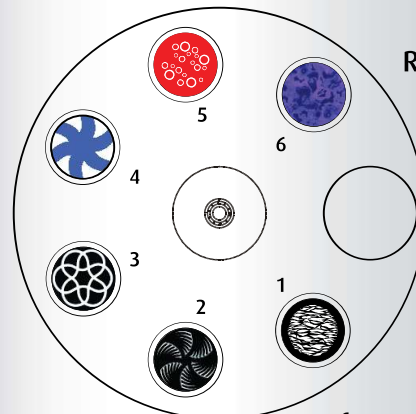
Optical



Fixed Color Wheel

6 + Open

- 1- Red
- 2- Blue
- 3- Green
- 4- Orange
- 5- Purple
- 6- Dark Blue

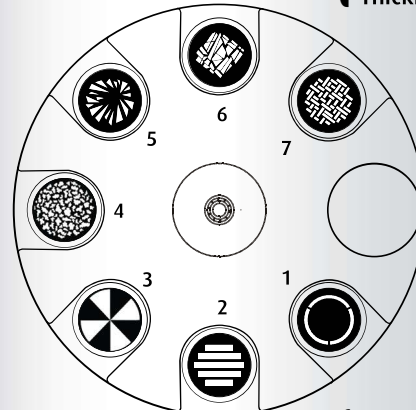


Rotating Gobo Wheel

6 + Open
Glass Lithos

- 1- Animation
- 2- Rip Wheel
- 3- Curved Lines
- 4- Technowedge
- 5- Rings
- 6- Psydye

Rotating Gobo Dimensions \varnothing { O.D.- 30mm (1.18 in)
Image Area- 25mm (.98 in)
Thickness- 0.7mm - 1.1mm



Fixed Gobo Wheel

7 + Open
Metal GOBO's

- 1- Tunnel
- 2- Bars
- 3- Fan
- 4- Breakup
- 5- Burst
- 6- Fracture
- 7- Crosshatch

Fixed Gobo Dimensions \varnothing { O.D.- 34mm (1.34 in)
Image Area- 28mm (1.10 in)
Thickness- 0.5mm - 0.7mm

- Framing Shutter System
- Linear CMY / CTO
- Lens Defog System
- Iris
- Zoom - 6 to 46 degrees
- Auto-Focus Function
- Linear Animation Strip
- Light Frost
- 3 Facet Rotating Prism

Photometrics

	Ultra-Brite	High CRI 6500K
Lumens* -	26,000	20,000
CRI-	>75	>90
Color Temperature-	6500K	6500K

* Lumens as measured by Everfine 2.0 integrating sphere and PMS-80 spectrophotometer. Calibration date March 3, 2014

Electrical

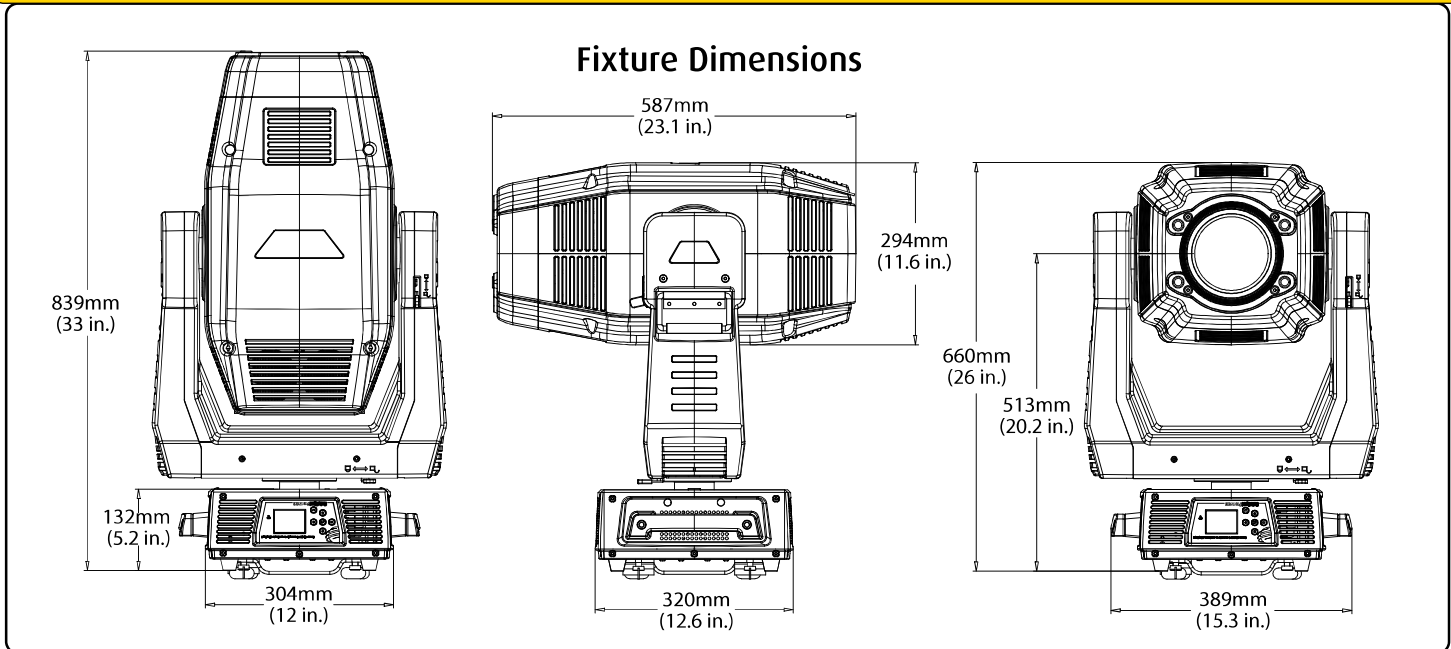
Input Power Rating- AC 100V - 240V 50/60 Hz

9.5-3.8 Amps

Auto Switching Power Supply

Db(A)- 38

Dimensions / Physical



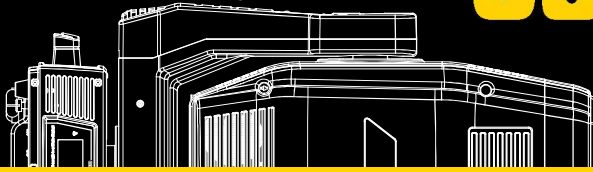
Fixture Weight	43.5 Kg (96 Lbs.)
Packing Gross / Shipping Weight	85 Kg (187 Lbs.)
Shipping Dimensions (L x W x H)	686 x 584 x 1016 mm 27 x 23 x 40 in.
Min Distance to Flammable Objects	0.5m (1.64 ft.)
Min Distance to Lighted Objects	1.5m (4.9 ft.)
Operating Temperature	0 - 45° C (32 - 113° F)
Storage Temperature	-20 - 60° C (0 - 140° F)
Compliance Approvals	CE, ETL

Mounting Options-

The fixture can be truss mounted using included mounting brackets. It can also stand upright on a stable surface.

Available Fixture Colors -	Black - PN H7010027
	White - By Request





Zoom Range and Distance Chart

